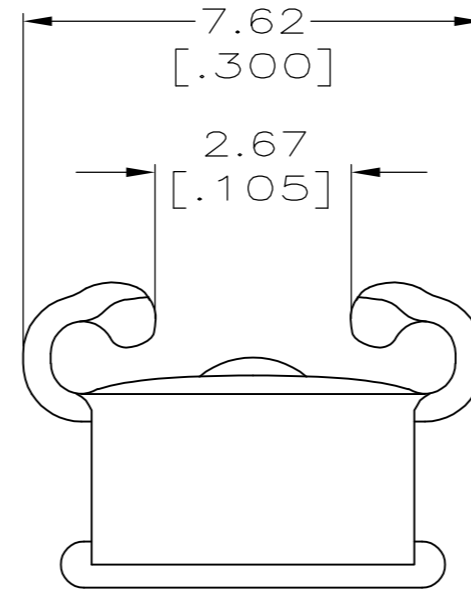
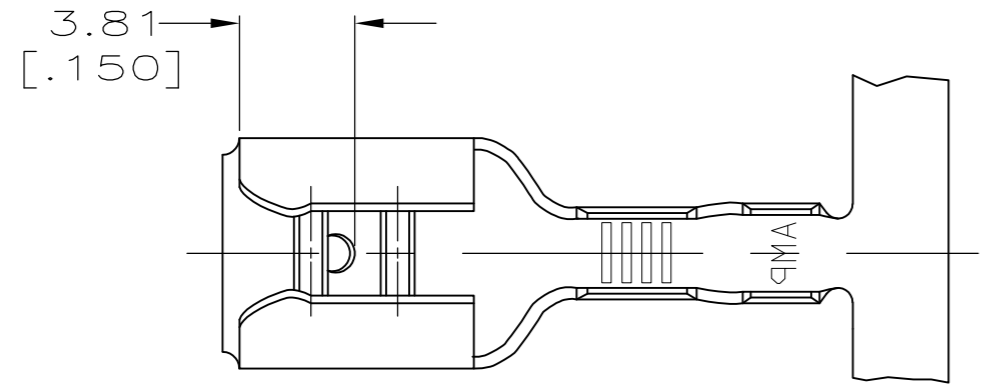


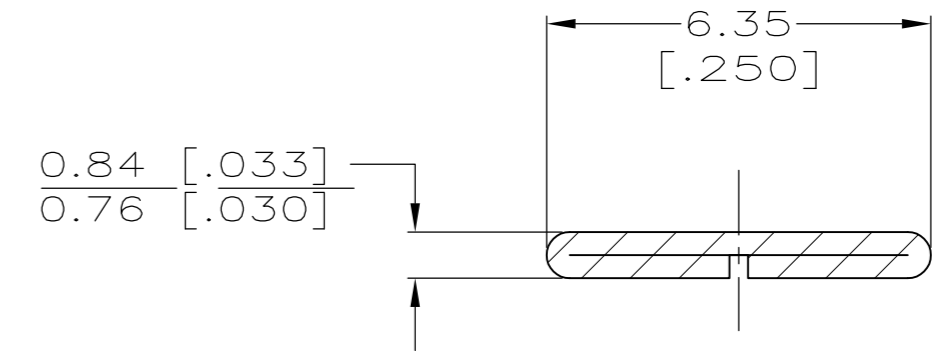
THIS DRAWING IS UNPUBLISHED. RELEASED FOR PUBLICATION
 © COPYRIGHT - By - ALL RIGHTS RESERVED.

LOC	DIST	REVISIONS			
P	LTR	DESCRIPTION	DATE	DWN	APVD
AF	50	H	REVISED PER ECR-12-013459	27NOV2012	KH PD

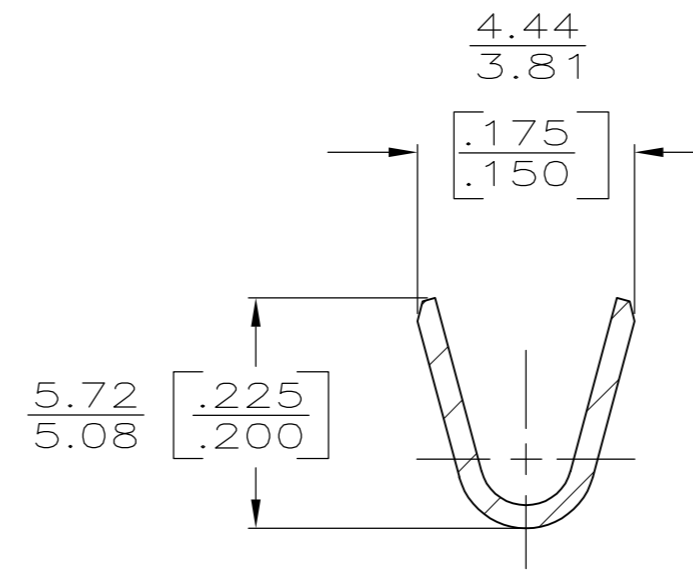
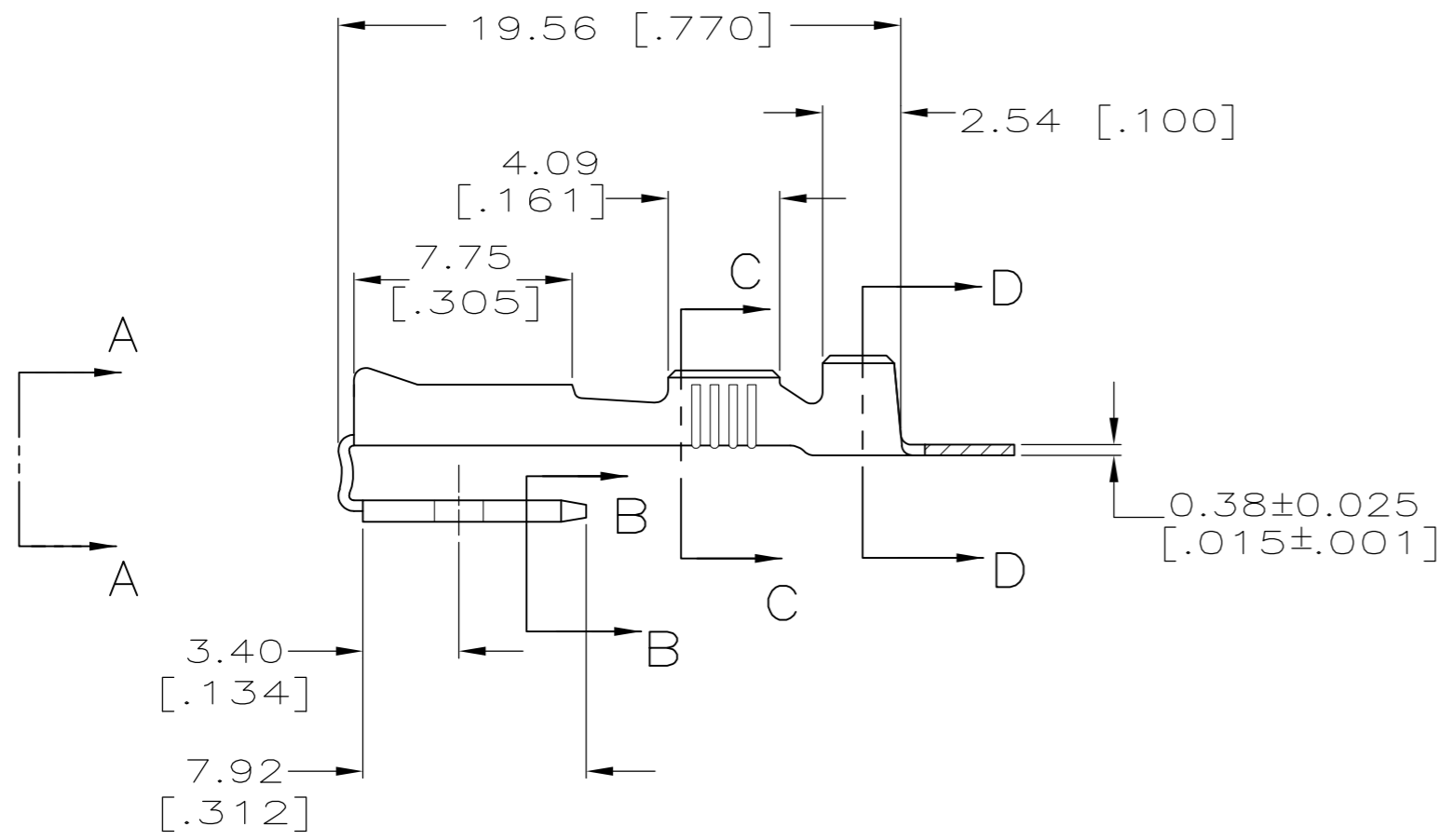
- CONTINUOUS STRIP ON REELS
- MATING TAB THK TO BE 0.81 ± 0.025 [.032±.001]
- WIRE SIZE IS #14-#10 AWG.
- INSULATION RANGE IS 3.81-5.08 [.150-.200] DIA.



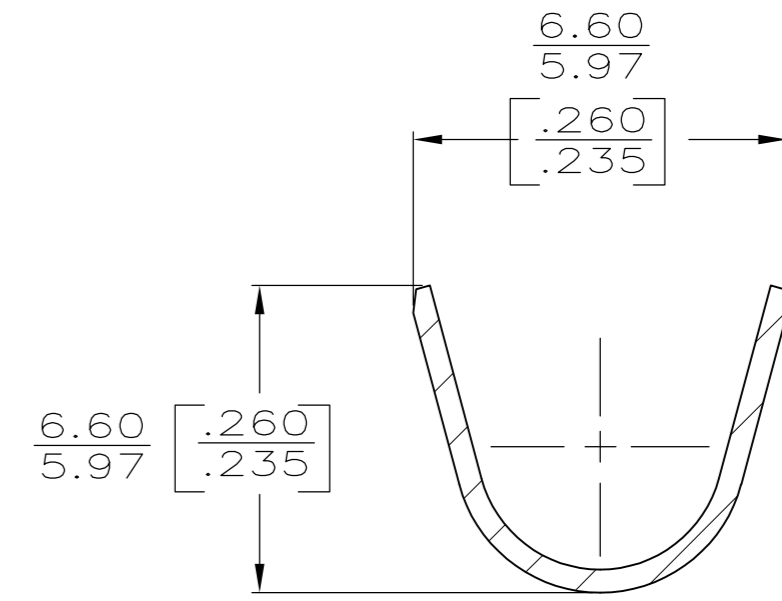
VIEW A-A
SCALE 8:1



SECTION B-B
SCALE 8:1



SECTION C-C
SCALE 8:1



SECTION D-D
SCALE 8:1

TIN	BRASS	62253-2
-	BRASS	62253-1
FINISH	MATERIAL	PART NO

THIS DRAWING IS A CONTROLLED DOCUMENT.		DWN	JR RUTH	7/12/89	 TE Connectivity			
DIMENSIONS:		CHK	MS FEHER	7/12/89				
mm [INCHES]		APVD	C MEYERS	7/12/89				
TOLERANCES UNLESS OTHERWISE SPECIFIED:		PRODUCT SPEC	NAME					
0 PLC	± -	APPLICATION SPEC	114-2082		SIZE	CAGE CODE	DRAWING NO	RESTRICTED TO
1 PLC	± -	WEIGHT	-		A2	00779	C=62253	-
2 PLC	± -	CUSTOMER DRAWING		SCALE	4:1	SHEET	1 OF 1	REV
3 PLC	± 0.38 [.015]							H
4 PLC	± -							
ANGLES	± -							
FINISH	SEE TABLE							